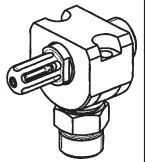


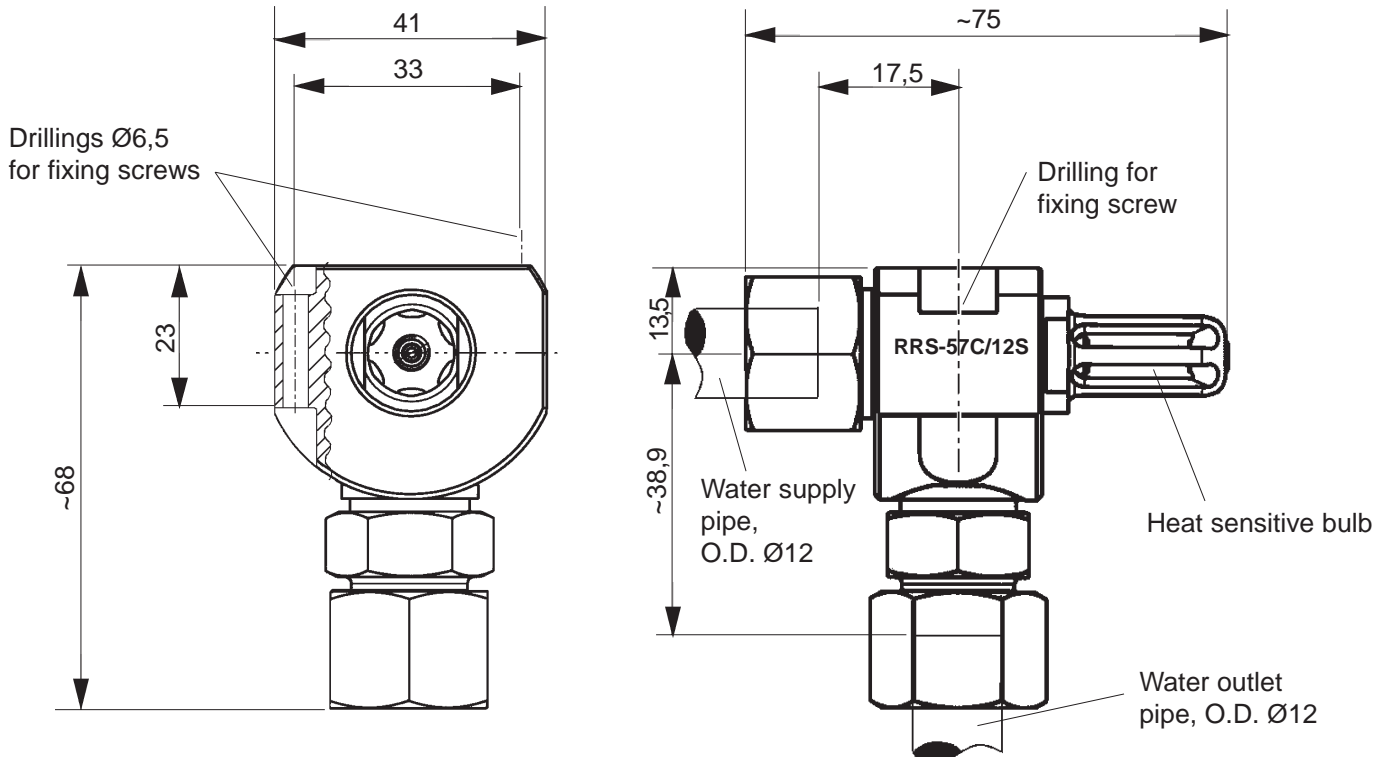
# Heat Release Valve



Stock codes C3306x (see table below)

1 Oct 2010

Stock code	Type code	Heat sensitive bulb
C33060	RRS-57C/12S/12S	57°C (orange color)
C33061	RRS-68C/12S/12S	68°C (red color)
C33062	RRS-79C/12S/12S	79°C (yellow color)
C33063	RRS-93C/12S/12S	93°C (green color)
C33064	RRS-141C/12S/12S	141°C (blue color)



The heat release valve is used where the required sprinkler location is not the same location where the heat build up takes place during a fire. The sprinkler can be replaced by the heat release valve and up to 2 spray heads; the heat release valve is located at the point of heat build up, and the spray head(s) can be located in the preferred location(s). The bulb of the heat release valve breaks at the required temperature and water flows through the valve and is discharged through the spray head(s).

<b>General</b>	Body material	Brass
	Finish	Nickel
	Mass	0,40 kg
<b>Installation</b>	Location	Where release heat is expected
	Projection	Pendent or horizontal
	Max. distance from ceiling	about 0,20 m
<b>Capacity</b>	Total K-factor max	Nozzles after heat release valve = 4.1